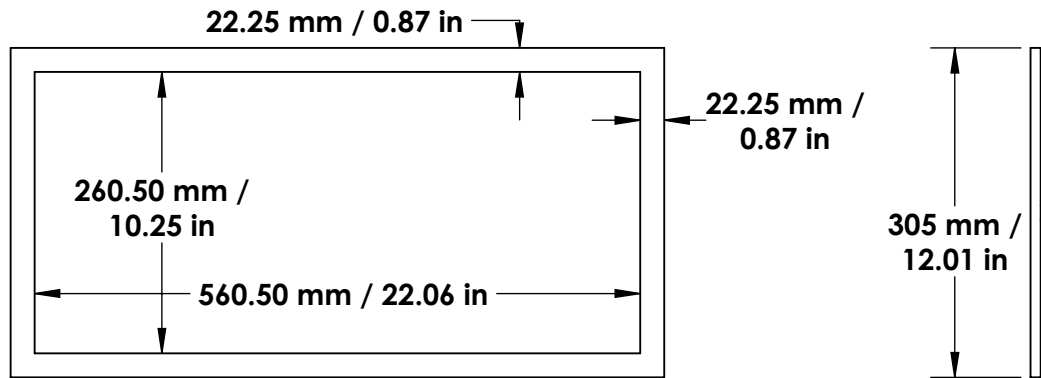
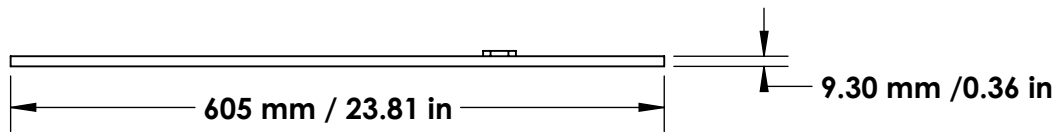
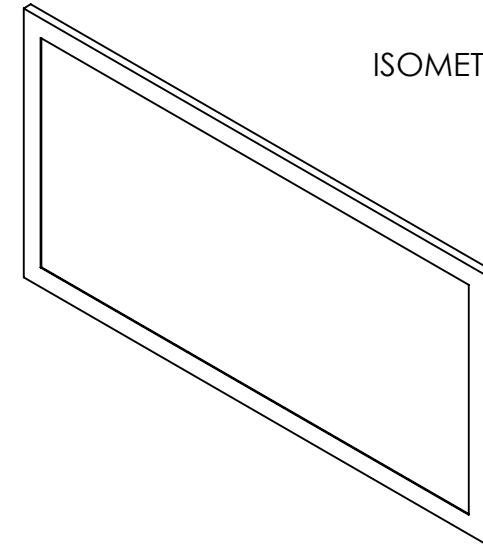


FRONT VIEW



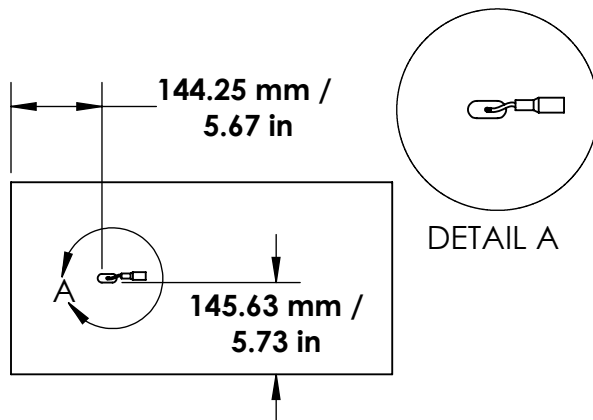
TOP VIEW

ISOMETRIC VIEW



SIDE VIEW

ELECTRICAL COMP. LOCATION



DETAIL A

UNLESS OTHERWISE SPECIFIED: DIMENSIONS ARE IN MILLIMETERS SURFACE FINISH: TOLERANCES: LINEAR: ANGULAR:				FINISH: <b>ALUMINUM POWDER COATED</b>	
	NAME	SIGNATURE	DATE	ALL DIMENSIONS ARE IN MM.	
DRAWN	CABRAL		3/15/18		
CHK'D					
APPV'D					
MFG				MATERIAL:	
Q.A					

DO NOT SCALE DRAWING

REVISION



DWG NO.

**Preston 1X2**

SCALE:1:5

SHEET 1 OF 1