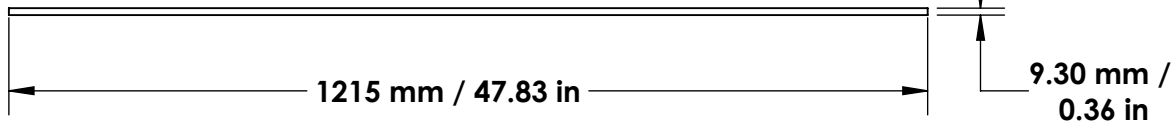


1 2 3 4 5 6

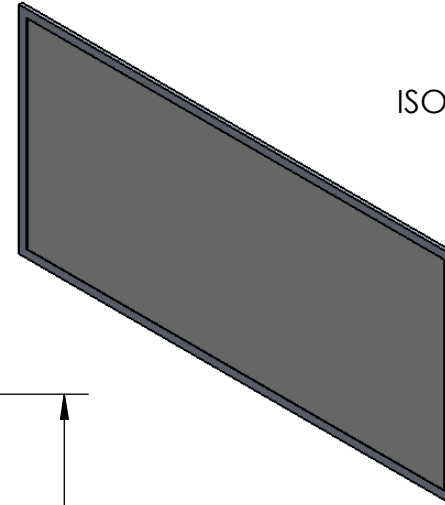
A

A

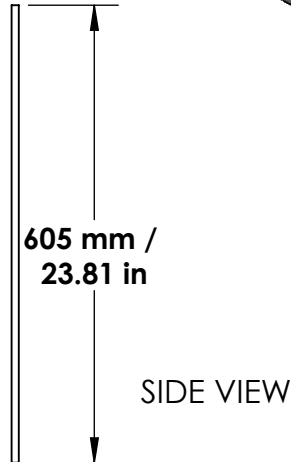
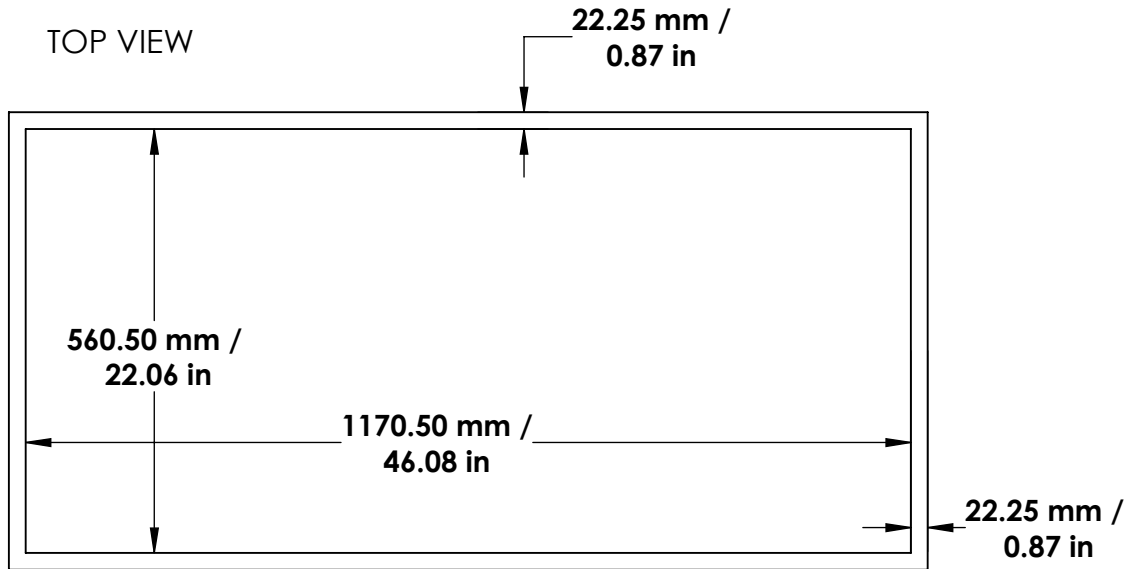
FRONT VIEW



ISOMETRIC VIEW



TOP VIEW



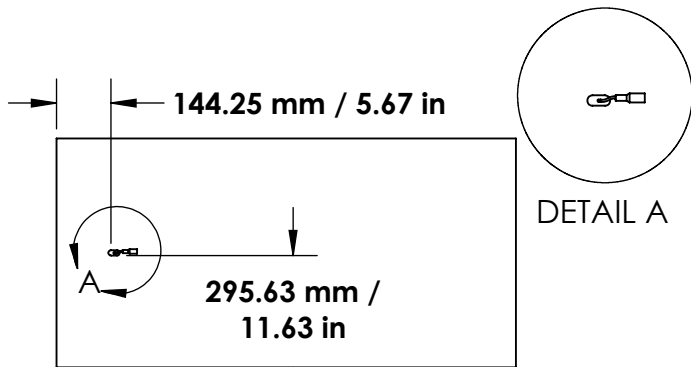
B

B

C

C

ELECTRICAL COMP. LOCATION



D

1 2

UNLESS OTHERWISE SPECIFIED: DIMENSIONS ARE IN MILLIMETERS SURFACE FINISH: TOLERANCES: LINEAR: ANGULAR:				FINISH: ALUMINUM POWDER COATED	
ALL DIMENSIONS ARE IN MM.					
NAME	SIGNATURE	DATE			
DRAWN CABRAL		3/14/18			
CHK'D					
APPV'D					
MFG					
Q.A			MATERIAL:		
			WEIGHT:		

DO NOT SCALE DRAWING	REVISION
DWG NO.	Preston 2X4
SCALE: 1:20	SHEET 1 OF 1